



卡固電設
KAKU Electric Equipment



TUV Rheinland



E311598

RoHS CE IP55

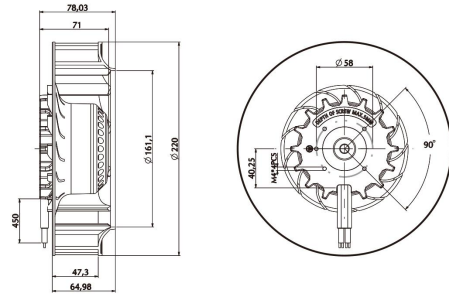
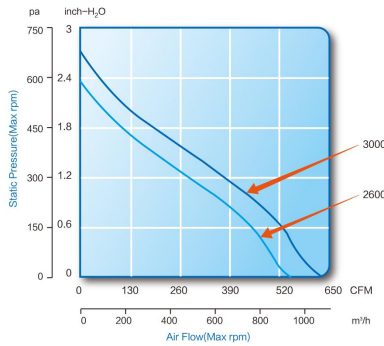
STANDARD FEATURES

- Size: 220*78mm
- Operating Temperature: -10°C to +70°C
- Storage Temperature: -40°C to +85°C
- Weight: 1350g
- Bearing System: Dual Sealed Ball Bearings
- Impeller: Mg. Alloy integrated die-casing, surface treatment(ED coating+powder coating)
- Motor Base: Die Cast Aluminum
- Lead Wires: 450MM



BENEFITS

- Outstanding CFM performance in high pressure systems
- 18 months warranty
- Extended bearing life
- Soft start capability
- Designed with optional features RD, Tach/FG, PWM,0-10V
- This fan is designed for continuous duty life of 55000 hours at 40°C (L10)



參數表 Specification

Model	Rated Voltage (V)	Freq (HZ)	Current (mA)	Power (W)	Speed (rpm)	Air Flow		Max.Static Pressure(H ₂ O)		Noise Leve (dB-A)	Weight (g)
						M ³ /Min.	CFM	MM	INCH		
KU220A2600D24B	24VDC	-	2500	60	2600	15.32	547	59.69	2.35	74	1350
KU220A3000D24B	24VDC	-	3958	95	3000	17.68	631	68.83	2.71	78	1350
KU220A2600D48B	48VDC	-	1250	60	2600	15.32	547	59.69	2.35	74	1350
KU220A3000D48B	48VDC	-	1979	95	3000	17.68	631	68.83	2.71	78	1350
KU220A2600D110B	110VDC	-	545	60	2600	15.32	547	59.69	2.35	74	1580
KU220A3000D110B	110VDC	-	864	95	3000	17.68	631	68.83	2.71	78	1580
KU220A2600E1B	115VAC	50-60	840	62	2600	15.32	547	59.69	2.35	74	1580
KU220A3000E1B	115VAC	50-60	1330	100	3000	17.68	631	68.83	2.71	78	1580
KU220A2600E2B	230VAC	50-60	480	60	2600	15.32	547	59.69	2.35	74	1580
KU220A3000E2B	230VAC	50-60	790	100	3000	17.68	631	68.83	2.71	78	1580

全新EC&DC離心風機系列 EC&DC Centrifugal Fans

期待已久的
卡固全金屬，高效型

EC&DC離心風機推出啦！相比傳統離心風機，具有功能更完善，性能更突出，壽命更長等優點：

KAKU's EC&DC centrifugal fans with metal impeller and high efficiency finally come out! Compare with the traditional centrifugal fan, this new EC&DC series have much advantages, such as more functions, more outstanding performance and longer life etc.

鎂合金材質壓鑄一體化成型葉輪，表面經電泳及粉末雙塗層處理。

Impeller: Magnesium alloy by one die-casting molding process through surface treatment with ED coating plus power coating.

2.

葉輪底部帶有擾流散熱結構，馬達底座設計有特殊散熱結構，大幅度降低馬達溫升。

With radiating fin structure under the bottom of impeller and special heat radiation design on the motor base make sure decrease the motor temperature greatly.

EC款高度集成化，與傳統AC,DC同尺寸設計，更換便捷。
Highly integrated EC motor designed by the totally same size with the traditional AC or DC centrifugal fans, which makes easy to replacement.

EC款電子馬達較傳統AC驅動馬達有着不可比擬的優勢：
1) 傳統離心風機以交流馬達作為驅動核心，效率低可靠性差。
2) 傳統塑料葉輪可靠性差且散熱性能不足，不可追加PWM及信號反饋等功能。

The EC motor makes itself highly competitive compare to the traditional AC motor as follows:
1) Traditional centrifugal fans drive by AC motor which has low efficiency and reliability.
2) Traditional plastic impeller with poor liability and lower heat radiation function can not be put additional PWM or signal feedback function.



KAKU®

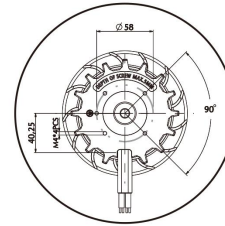
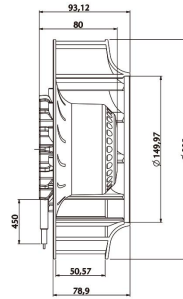
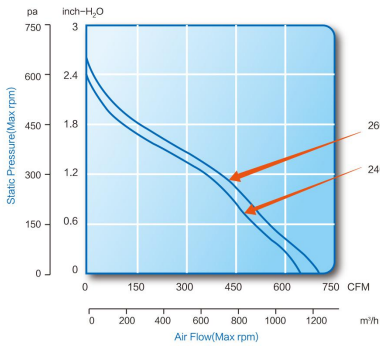
STANDARD FEATURES

- **Size:** 225*93.5mm
- **Operating Temperature:** -10°C to +70°C
- **Storage Temperature:** -40°C to +85°C
- **Weight:** 1800g
- **Bearing System:** Dual Sealed Ball Bearings
- **Impeller:** Mg. Alloy integrated die-casing, surface treatment(ED coating+powder coating)
- **Motor Base:** Die Cast Aluminum
- **Lead Wires:** 450MM

RoHS CE IP55

BENEFITS

- Outstanding CFM performance in high pressure systems
- 18 months warranty
- Extended bearing life
- Soft start capability
- Designed with optional features RD, Tach/FG, PWM,0-10V
- This fan is designed for continuous duty life of 55000 hours at 40°C (L10)



參數表 Specification

Model	Rated Voltage (V)	Freq (HZ)	Current (mA)	Power (W)	Speed (rpm)	Air Flow		Max. Static Pressure(H ₂ O)		Noise Level (dB-A)	Weight (g)
						M ³ /Min.	CFM	MM	INCH		
KU225A2400D24B	24VDC	-	3417	82	2400	16.97	606	59.94	2.36	75	1800
KU225A2600D24B	24VDC	-	4167	100	2600	18.4	657	65.02	2.56	77	1800
KU225A2400D48B	48VDC	-	1708	82	2400	16.97	606	59.94	2.36	75	1800
KU225A2600D48B	48VDC	-	2083	100	2600	18.4	657	65.02	2.56	77	1800
KU225A2400D110B	110VDC	-	745	82	2400	16.97	606	59.94	2.36	75	2030
KU225A2600D110B	110VDC	-	909	100	2600	18.4	657	65.02	2.56	77	2030
KU225A2400E1B	115VAC	50-60	1160	84	2400	16.97	606	59.94	2.36	75	2030
KU225A2600E1B	115VAC	50-60	1380	104	2600	18.4	657	65.02	2.56	77	2030
KU225A2400E2B	230VAC	50-60	670	83	2400	16.97	606	59.94	2.36	75	2030
KU225A2600E2B	230VAC	50-60	770	103	2600	18.4	657	65.02	2.56	77	2030

www.shKAKU.com



卓越品質 世界共享
Outstanding Quality Shared by the World



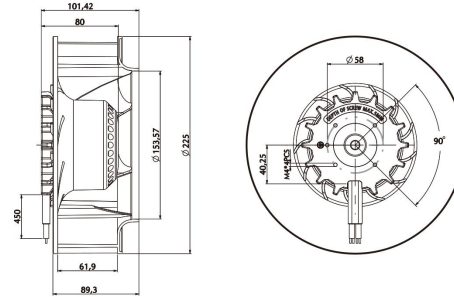
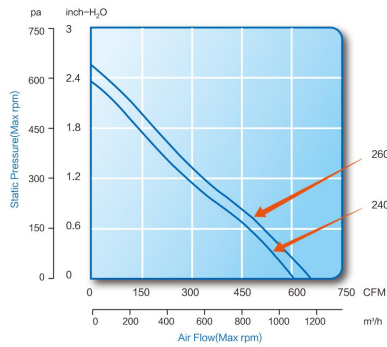
STANDARD FEATURES

- Size: 225*101.5mm
- Operating Temperature: -10°C to +70°C
- Storage Temperature: -40°C to +85°C
- Weight: 1780g
- Bearing System: Dual Sealed Ball Bearings
- Impeller: Mg. Alloy integrated die-casing, surface treatment(ED coating+powder coating)
- Motor Base: Die Cast Aluminum
- Lead Wires: 450MM



BENEFITS

- Outstanding CFM performance in high pressure systems
- 18 months warranty
- Extended bearing life
- Soft start capability
- Designed with optional features RD, Tach/FG, PWM,0-10V
- This fan is designed for continuous duty life of 55000 hours at 40°C (L10)



參數表 Specification

Model	Rated Voltage (V)	Freq (HZ)	Current (mA)	Power (W)	Speed (rpm)	Air Flow		Max.Static Pressure(H ₂ O)		Noise Level (dB-A)	Weight (g)
						M ³ /Min.	CFM	MM	INCH		
KU225B2400D24B	24CDV	-	3417	82	2400	18.15	648	61.21	2.41	76	1780
KU225B2600D24B	24CDV	-	4167	100	2600	19.66	702	66.29	2.61	78	1780
KU225B2400D48B	48CDV	-	1708	82	2400	18.15	648	61.21	2.41	76	1780
KU225B2600D48B	48CDV	-	2083	100	2600	19.66	702	66.29	2.61	78	1780
KU225B2400D110B	110CDV	-	745	82	2400	18.15	648	61.21	2.41	76	2010
KU225B2600D110B	110CDV	-	909	100	2600	19.66	702	66.29	2.61	78	2010
KU225B2400E1B	115VAC	50-60	1150	83	2400	18.15	648	61.21	2.41	76	2010
KU225B2600E1B	115VAC	50-60	1380	104	2600	19.66	702	66.29	2.61	78	2010
KU225B2400E2B	230VAC	50-60	640	82	2400	18.15	648	61.21	2.41	76	2010
KU225B2600E2B	230VAC	50-60	780	104	2600	19.66	702	66.29	2.61	78	2010

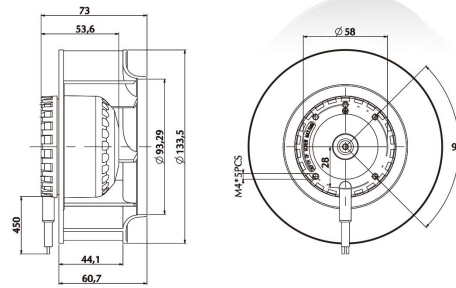
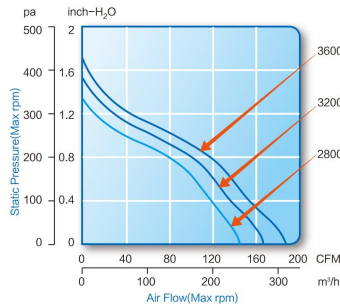
STANDARD FEATURES

- Size: 133.5 * 73 mm
- Operating Temperature: -10°C to +70°C
- Storage Temperature: -40°C to +85°C
- Weight: 520g
- Bearing System: Dual Sealed Ball Bearings
- Impeller: Mg. Alloy integrated die-casing, surface treatment(ED coating+powder coating)
- Motor Base: Die Cast Aluminum
- Lead Wires: 450MM



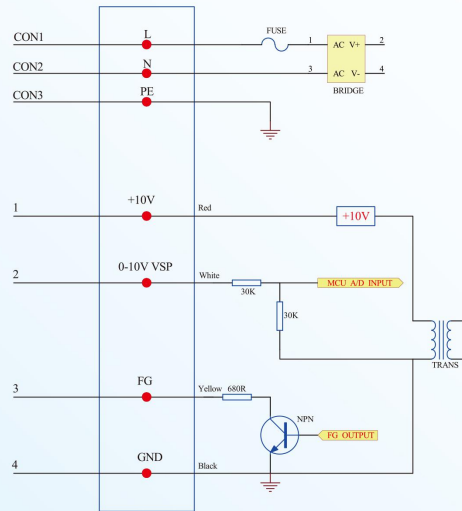
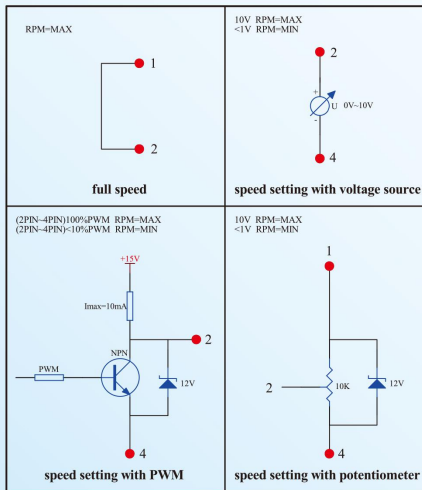
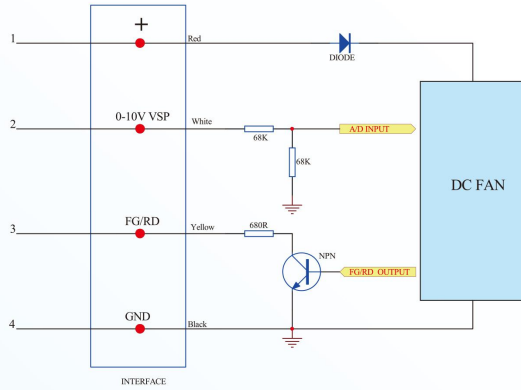
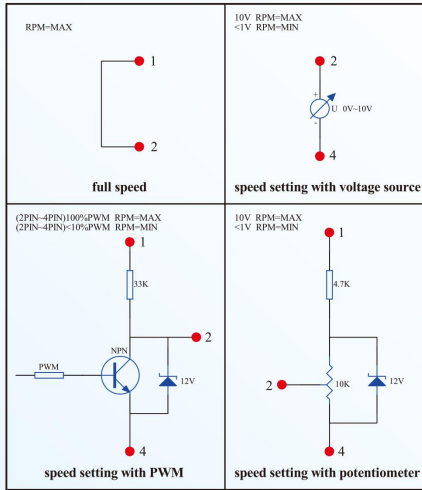
BENEFITS

- Outstanding CFM performance in high pressure systems
- 18 months warranty
- Extended bearing life
- Soft start capability
- Designed with optional features RD, Tach/FG, PWM,0-10V
- This fan is designed for continuous duty life of 55000 hours at 40°C (L10)



參數表 Specification

Model	Rated Voltage (V)	Freq (HZ)	Current (mA)	Power (W)	Speed (rpm)	Air Flow		Max.Static Pressure(H ₂ O)		Noise Leve (dB-A)	Weight (g)
						M ³ /Min.	CFM	MM	INCH		
KU133A2800D12B	12VDC	-	1250	15	2800	4.06	145	33.78	1.33	59	520
KU133A3200D12B	12VDC	-	1833	22	3200	4.65	166	38.61	1.52	63	520
KU133A3600D12B	12VDC	-	2500	30	3600	5.24	187	43.43	1.71	67	520
KU133A2800D24B	24VDC	-	625	15	2800	4.06	145	33.78	1.33	59	520
KU133A3200D24B	24VDC	-	917	22	3200	4.65	166	38.61	1.52	63	520
KU133A3600D24B	24VDC	-	1250	30	3600	5.24	187	43.43	1.71	67	520
KU133A2800D48B	48VDC	-	313	15	2800	4.06	145	33.78	1.33	59	520
KU133A3200D48B	48VDC	-	458	22	3200	4.65	166	38.61	1.52	63	520
KU133A3600D48B	48VDC	-	625	30	3600	5.24	187	43.43	1.71	67	520
KU133A2800D110B	110VDC	-	136	15	2800	4.06	145	33.78	1.33	59	600
KU133A3200D110B	110VDC	-	200	22	3200	4.65	166	38.61	1.52	63	600
KU133A3600D110B	110VDC	-	273	30	3600	5.24	187	43.43	1.71	67	600
KU133A2800E0B	100-240VAC	50-60	220-130	14-16	2800	4.06	145	33.78	1.33	59	600
KU133A3200E0B	100-240VAC	50-60	330-190	22-24	3200	4.65	166	38.61	1.52	63	600



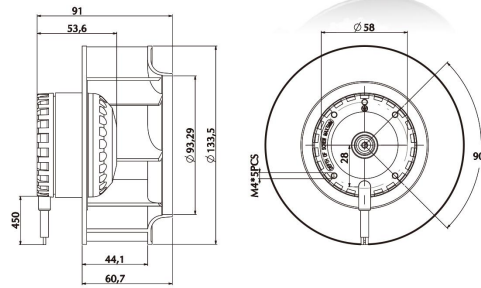
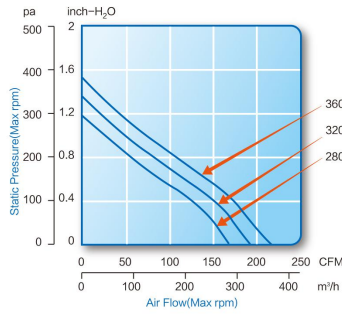
STANDARD FEATURES

- **Size:** 133.5*91mm
- **Operating Temperature:** -10°C to +70°C
- **Storage Temperature:** -40°C to +85°C
- **Weight:** 520g
- **Bearing System:** Dual Sealed Ball Bearings
- **Impeller:** Mg. Alloy integrated die-casing, surface treatment(ED coating+powder coating)
- **Motor Base:** Die Cast Aluminum
- **Lead Wires:** 450MM



BENEFITS

- Outstanding CFM performance in high pressure systems
- 18 months warranty
- Extended bearing life
- Soft start capability
- Designed with optional features RD, Tach/FG, PWM,0-10V
- This fan is designed for continuous duty life of 55000 hours at 40°C (L10)



參數表 Specification

Model	Rated Voltage (V)	Freq (HZ)	Current (mA)	Power (W)	Speed (rpm)	Air Flow		Max. Static Pressure(H ₂ O)		Noise Leve (dB-A)	Weight (g)
						M ³ /Min.	CFM	MM	INCH		
KU133B2800D12B	12VDC	-	1000	12	2800	4.71	168	29.97	1.18	58	520
KU133B3200D12B	12VDC	-	1500	18	3200	5.38	192	34.29	1.35	62	520
KU133B3600D12B	12VDC	-	2000	24	3600	6.05	216	38.61	1.52	66	520
KU133B2800D24B	24VDC	-	500	12	2800	4.71	168	29.97	1.18	58	520
KU133B3200D24B	24VDC	-	750	18	3200	5.38	192	34.29	1.35	62	520
KU133B3600D24B	24VDC	-	1000	24	3600	6.05	216	38.61	1.52	66	520
KU133B2800D48B	48VDC	-	250	12	2800	4.71	168	29.97	1.18	58	520
KU133B3200D48B	48VDC	-	375	18	3200	5.38	192	34.29	1.35	62	520
KU133B3600D48B	48VDC	-	500	24	3600	6.05	216	38.61	1.52	66	520
KU133B2800D110B	110VDC	-	109	12	2800	4.71	168	29.97	1.18	58	600
KU133B3200D110B	110VDC	-	164	18	3200	5.38	192	34.29	1.35	62	600
KU133B3600D110B	110VDC	-	218	24	3600	6.05	216	38.61	1.52	66	600
KU133B2800E0B	100-240VAC	50-60	210-110	11-12	2800	4.71	168	29.97	1.18	58	600
KU133B3200E0B	100-240VAC	50-60	310-180	20-22	3200	5.38	192	34.29	1.35	62	600
KU133B3600E0B	100-240VAC	50-60	340-220	24-26	3600	6.05	216	38.61	1.52	66	600



上海卡固電氣設備有限公司

Shanghai KAKU Electric Equipment Co.,Ltd.

地址: 上海徐匯區斜土路2601號T1座26樓G/H 200030

電話: 86-021-6426-0132 6426-0133 6426-0134

傳真: 86-021-6426-2244

Add: 26F, G&H, T1, 2601 Xietu Rd, Shanghai 200030

Tel: 86-021-6426-0132 6426-0133 6426-0134

Fax: 86-021-6426-2244

Email: kakush@online.sh.cn

臺灣卡固科技有限公司

Taiwan KAKU Technology Co.,Ltd.

地址: 新北市板橋區信義路163巷15號7樓

電話: 886-2-8951-8644

傳真: 886-2-8951-4760

Email: kaku8922@yahoo.com.cn

Add: 7F, No.15, 163 Xinyi Rd, Banqiao, Taiwan, Xinbei Distnct

Tel: 886-2-8951-8644

Fax: 886-2-8951-4760

Email: kaku8922@yahoo.com.cn

韓國卡固貿易株式會社 (주)한국카쿠무역

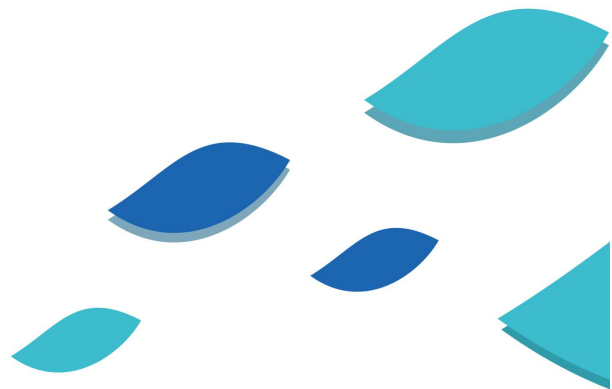
Korea KAKU Trading Co.,Ltd.

서울시 금천구 가산동 345-90 한라시그마밸리 1608호 (153-706)

Tel: 02-861-0632/31/30

Fax: 02-861-0131

Email: koreakaku@naver.com



www.shKAKU.com

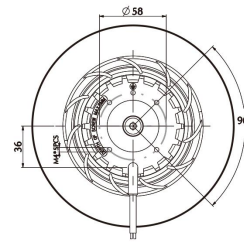
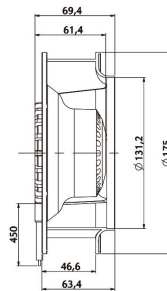
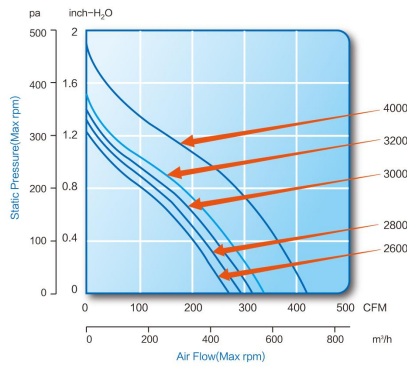
STANDARD FEATURES

- Size: 175*70mm
- Operating Temperature: -10°C to +70°C
- Storage Temperature: -40°C to +85°C
- Weight: 800g
- Bearing System: Dual Sealed Ball Bearings
- Impeller: Mg. Alloy integrated die-casing, surface treatment(ED coating+powder coating)
- Motor Base: Die Cast Aluminum
- Lead Wires: 450MM



BENEFITS

- Outstanding CFM performance in high pressure systems
- 18 months warranty
- Extended bearing life
- Soft start capability
- Designed with optional features RD, Tach/FG, PWM,0-10V
- This fan is designed for continuous duty life of 55000 hours at 40°C (L10)



參數表 Specification

Model	Rated Voltage (V)	Freq (HZ)	Current (mA)	Power (W)	Speed (rpm)	Air Flow		Max.Static Pressure(H ₂ O)		Noise Leve (dB-A)	Weight (g)
						M ³ /Min.	CFM	MM	INCH		
KU175A2800D12B	12VDC	-	2167	26	2800	8.24	294	34.04	1.34	69	800
KU175A3200D12B	12VDC	-	3083	37	3200	9.41	336	38.86	1.53	73	800
KU175A2800D24B	24VDC	-	1083	26	2800	8.24	294	34.04	1.34	69	800
KU175A3200D24B	24VDC	-	1542	37	3200	9.41	336	38.86	1.53	73	800
KU175A2800D48B	48VDC	-	542	26	2800	8.24	294	34.04	1.34	69	800
KU175A3200D48B	48VDC	-	771	37	3200	9.41	336	38.86	1.53	73	800
KU175A4000D48B	48VDC	-	1563	75	4000	11.76	420	48.58	1.91	79	800
KU175A2800D110B	110VDC	-	236	26	2800	8.24	294	34.04	1.34	69	890
KU175A3200D110B	110VDC	-	336	37	3200	9.41	336	38.86	1.53	73	890
KU175A2600E0B	100-240VAC	50-60	420-260	23-25	2600	7.65	273	31.5	1.24	67	890
KU175A3000E0B	100-240VAC	50-60	500-280	32-36	3000	8.82	315	36.32	1.43	69	890